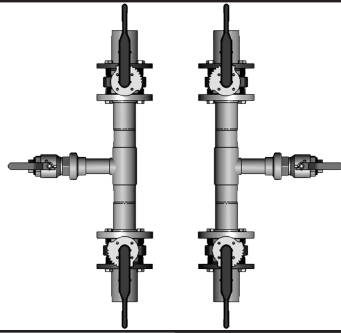




Submittal Data

FLC32S Flushing Assembly, 3" IPS HDPE DR11 Connections



Project Name:	Representative:	
Contractor:	Engineer:	
Ref/P.O.#:	Date:	
Submitted by:	Date:	
<u>Qty:</u>	<u>Part #:</u>	<u>Description</u>

Technical Data

Application: The FLC32S flushing assembly is a factory-fabricated flushing assembly, designed for connection to geothermal systems with 3" HDPE pipe, and may be heat-fused directly into the piping system.

Material:* PP-R body/Tee (between flanges), HDPE connection to piping system.

Isolation Valves: Four 3" ANSI flange butterfly valves, cast iron body, aluminum/bronze disc, NBR seat; two 2" NPT full port brass ball valves with brass plug.

Connections: Ground loop/building connections are 3" IPS HDPE DR11 pipe x 3" ANSI flange. Flush port connection is 2" NPT female (plug installed).

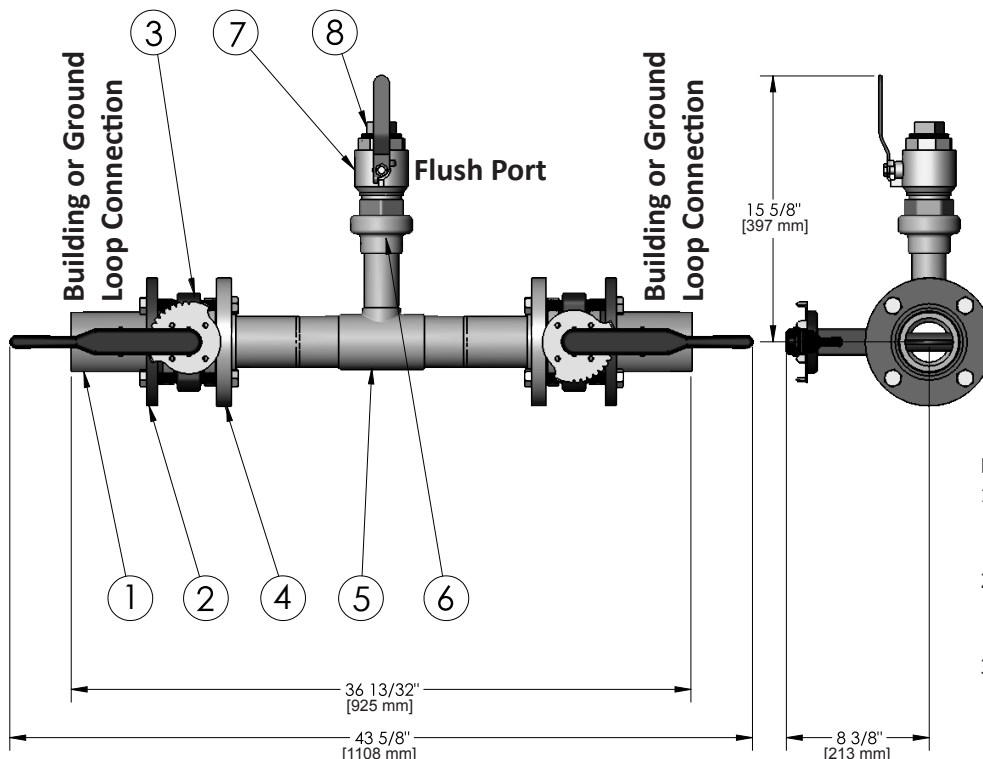
Max. Fluid Temperature: 140°F [60°C]**
 Min. Fluid Temperature: 20°F [-7°C]**
 Max. Operating Press.: 100 psi [6.9 bar] @ 100°F [38°C]**

Approved Antifreeze: Ethanol, Methanol, Propylene Glycol

**The assembly consists of PP-R and HDPE material. Above parameters are the lower of the two values for HDPE and PP-R.

*PP-R is polypropylene; HDPE is high density polyethylene.

Dimensional Data



NOTES:

1. Flushing assembly includes a set. Only one side is shown for dimensional purposes.
2. Dimensional data provided for informational purposes and is rounded to nearest 1/16".
3. Metric data is a simple conversion of imperial data and should not be considered more accurate.

Call-out	Description
1	Flange adapter, 3" IPS HDPE, DR-11
2	Backup ring, 3" IPS
3	Butterfly valve, 3", cast iron body, Alum/brnz disc, NBR seat
4	Flange adapter, 3" IPS PP-R, DR-11
5	PP-R pipe and T (between flanges)
6	2" PP-R fusion x 2" FPT brass adapter
7	2" FPT x 2" MPT full port, brass ball valve
8	Plug, 2" MPT, square drive, brass



GEO-FLO PRODUCTS CORPORATION
 905 Williams Park Drive
 Bedford, Indiana 47421 U.S.A.
 Phone: 812-275-8513 Fax: 812-275-8523
 www.geo-flo.com