

## Submittal Data

Bracketed Pump Kit with Flanges, UPS15-58FC (field assembled)



Project Name:

Contractor:

Engineer:

Order Number:

Additional Information:

## Technical Data

Circulator:	UPS15-58FC (3 speed) with check valve (Grundfos part # 59896341)
Brackets:	14 ga. powder-coated steel
Flanges:	Cast iron, 3/4" FPT (part # 9451-3F) or 1" FPT (part # 9451-4F)
Application:	Bracketed pump kits include mounting brackets for ease of installation, especially for hydronic systems with flexible piping such as PEX. NOTE: Not recommended for chilled water applications.

Max. Fluid Temperature: 230°F [110°C]
Min. Fluid Temperature: 36°F [2°C]
Max. Oper. Press.: 145 psi [10 bar]
Min. Operating Press.: 1.9 psi [0.1 bar]*
Max. Ambient Air Temp: 104°F [40°C]
*At 165°F [74°C]

## Electrical Data

Motor: 115V, 60 Hz, single phase, 2-pole, UL and CSA approved, internal thermal overload protection, insulation class F

Part Number	Pump Motor	Speed	Nominal HP	Volts	Amps	Watts	Capacitor	Pump Housing (Volute)
9451-__	UPS15-58	High	1/25	115	0.75	87	10µF/180V	Cast Iron
		Medium			0.66	80		
		Low			0.55	60		

## Approved Liquids

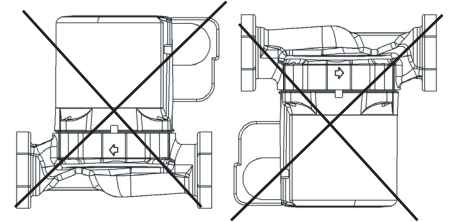
Water  
Water-glycol mixtures

## Mounting

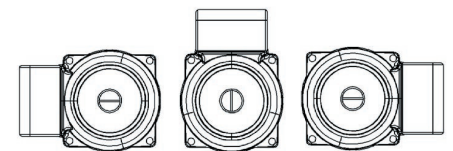
**Pump is designed for indoor installation only.**

Pump must be installed with the motor shaft in the horizontal position.

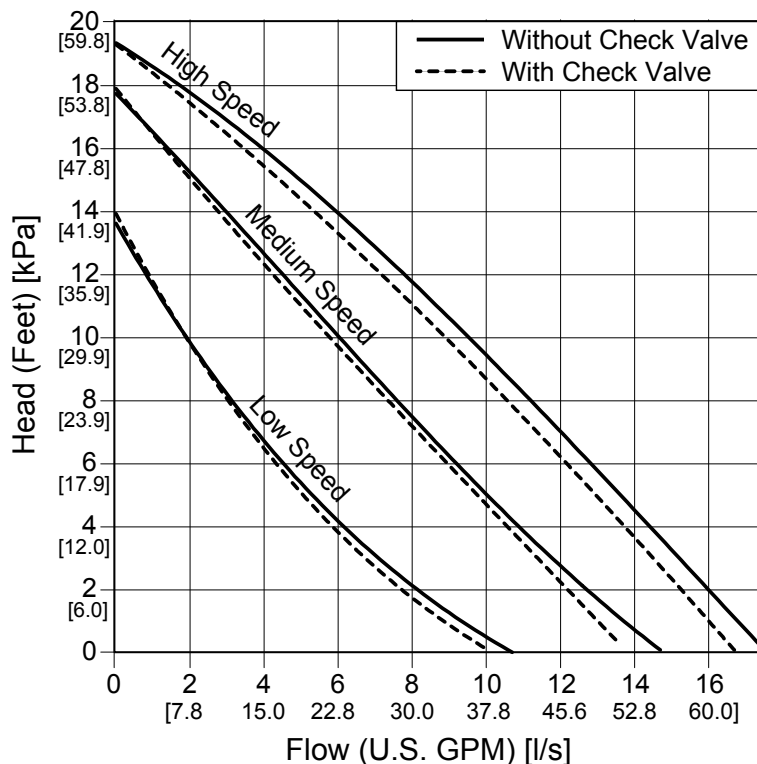
Do not install pump with the motor shaft in the vertical position.



The terminal box should be located in one of the following orientations:

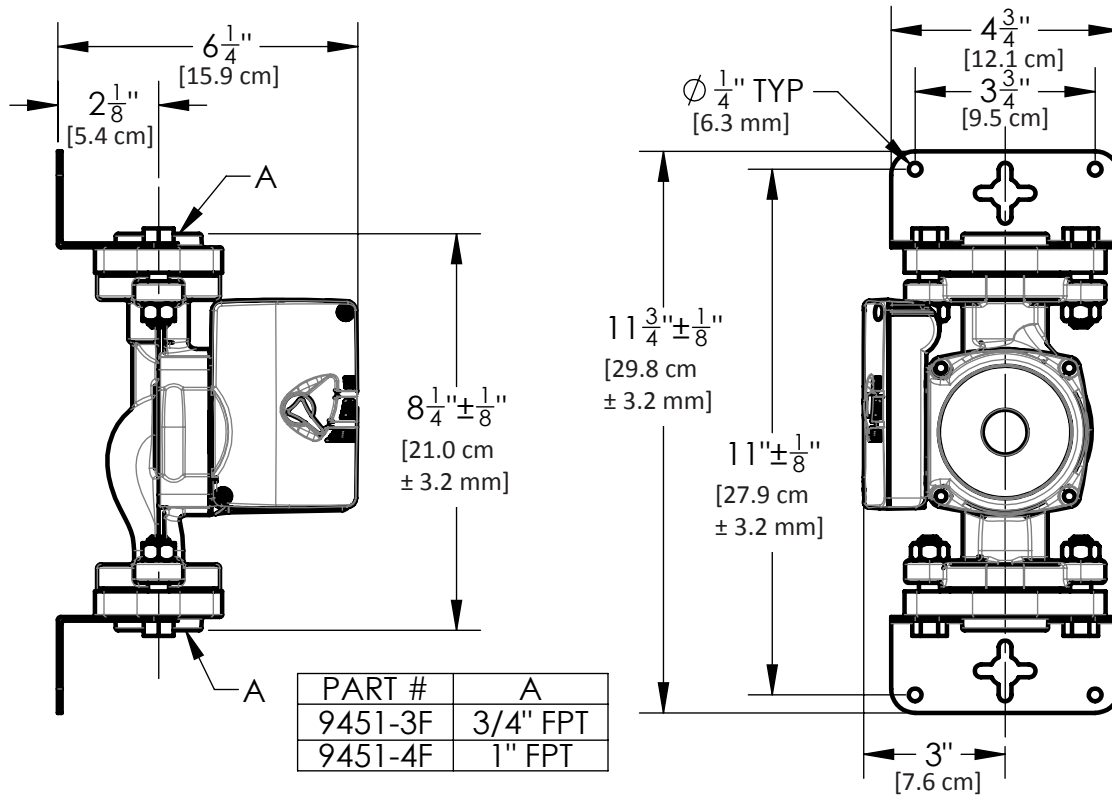


## Pump Performance Curves -- Grundfos UPS15-58



Curves are manufacturer's reported averages using water at 68°F [20°F].

## Dimensional Data



### NOTES:

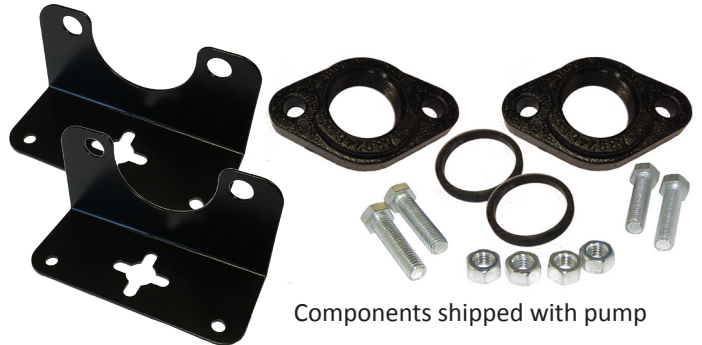
1. Dimensional data provided for informational purposes and is rounded to nearest 1/16".
2. Metric data is a simple conversion of imperial data and should not be considered more accurate.

## Assembly Details

The bracketed pump kit ships disassembled, and requires field assembly. The fully assembled pump is shown below, as well as the kit components that are shipped with the pump.



Fully assembled bracketed pump  
(field assembly required)



Components shipped with pump

### NOTE:

Pump ships with factory-installed internal check valve. Check valve may be removed if not needed. A sticker is included (see below) that may be used to indicate that check valve has been removed.

Check Valve  
Removed

# GEO-FLO

GEO-FLO PRODUCTS CORPORATION  
905 Williams Park Drive  
Bedford, IN 47421  
Phone: 812-275-8513 Fax: 812-275-8523  
www.geo-flo.com